

# FLU

## Universal LED Flood Light

FLU	-	UV	-	ACT	-	
Wattage (Adjustable)		Voltage	Optic	Adjustable CCT	Mounting	Options
<b>80-150</b> 80W-100W-150W 11,200lm - 21,000lm		<b>UV = 100-347 VAC</b>	<b>T3 = Type III</b>	3000K	<b>U = U-Bracket</b>	<b>D = Dimming</b>
<b>200-300</b> 200W-240W-300W 28,000lm - 42,000lm			<b>T4 = Type IV</b>	4000K	<b>M = Multi Mount</b>	<b>Ph = Photocell</b>
			<b>T5 = Type V</b>	5000K	<b>SF = Slip-Fit</b>	

### OPERATION

<b>Array Lifetime</b>	100,000+ Hours
<b>Driver Lifetime</b>	50,000 Hours
<b>Voltage</b>	120 - 347 VAC
<b>Operating Temperature</b>	-40°C to 50°C
<b>Optimal Temperature</b>	-30°C to 35°C
<b>Power Factor</b>	> 0.9
<b>Frequency</b>	50/60 Hz
<b>Colour Rendering Index</b>	>80

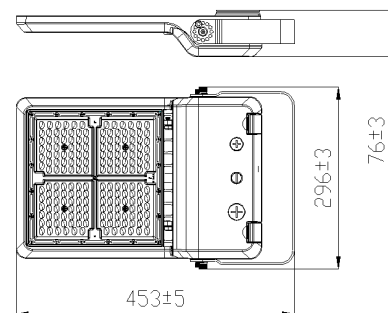
### CERTIFICATIONS

<b>Locations</b>	Suitable for wet or dry locations
<b>CSA Standards</b>	CSA C22.2 No.250.0-08
<b>UL Standards</b>	UL 1598 (Edition 3) UL 8750 (Edition 1): 2009

### CONSTRUCTION

<b>Housing</b>	Cast Aluminum
<b>Lens</b>	Polycarbonate
<b>Enclosure Rating</b>	IP65
<b>Dimensions (Diameter x H)</b>	<b>80-150:</b> 453 x 296 x 76 [mm] <b>200-300:</b> 547 x 367 x 76 [mm]
<b>Weight</b>	<b>80-150:</b> 3.9 kg <b>200-300:</b> 5.2 kg

80W-150W



200W-300W

